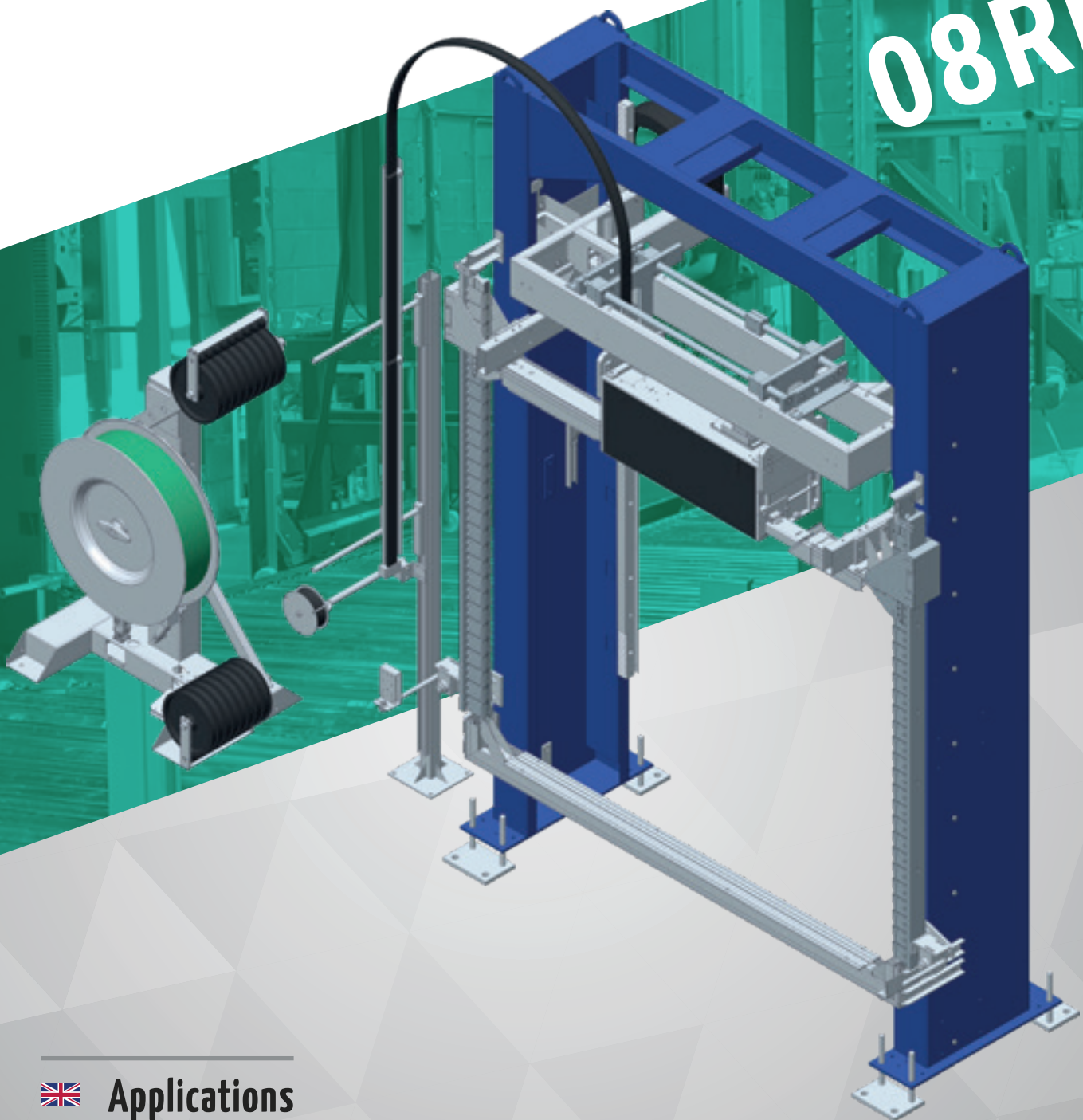


STRAPPING

MOD.  
**08RP**



 **Applications**



Paper



Ceramic



Wood & Profiles



Plastic/Cans

# 08RP

The 08RP automatic vertical strapping machine was designed to apply vertical straps to palletized products. It comes with a strapping head that works either with polypropylene or polyester straps. It can be placed in full automatic packaging lines,

where, by signals exchange can communicate with other machines. It can also operate in stand alone mode. It may also feature a touch-screen operator panel through which to manage all machine functions.

## Technical data

### Power supply

Voltage	400 / 415V three-phase 50Hz
Installed power	~ 2,7 kW

### Coil size

Max internal diameter	390 ÷ 405 mm
Max external diameter	600 mm

### Pack size (standard machine)

Length	300 ÷ 1200 mm
Width	Max. 1500 mm

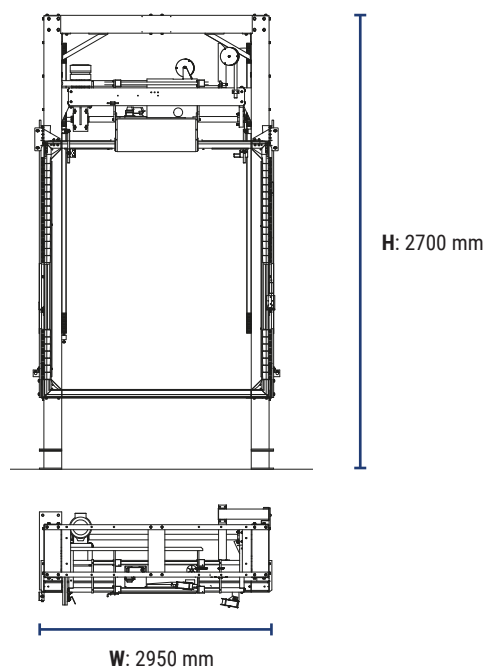
### Applicable strapping heads

TR1400 / TR1400HD / TR1800 / TR2000

### Strap

Type of strap	Polyester (PET) Polypropylene (PP)
---------------	---------------------------------------

## Standard machine dimensions



Strapping head detail



08RP with shifting device



Officina Meccanica Sestese S.p.A.

Via Borgomanero, 44 - 28040 Paruzzaro (NO)

Tel. +39 0322 541411 Fax +39 0322 53157

www.omsspa.com

info@omsspa.com

As a part of our policy of continuous improvement, we reserve the right to alter design and specifications without prior notice. This brochure is for descriptive purpose only. Some of the items pictured in this brochure are optional and not standard equipment.