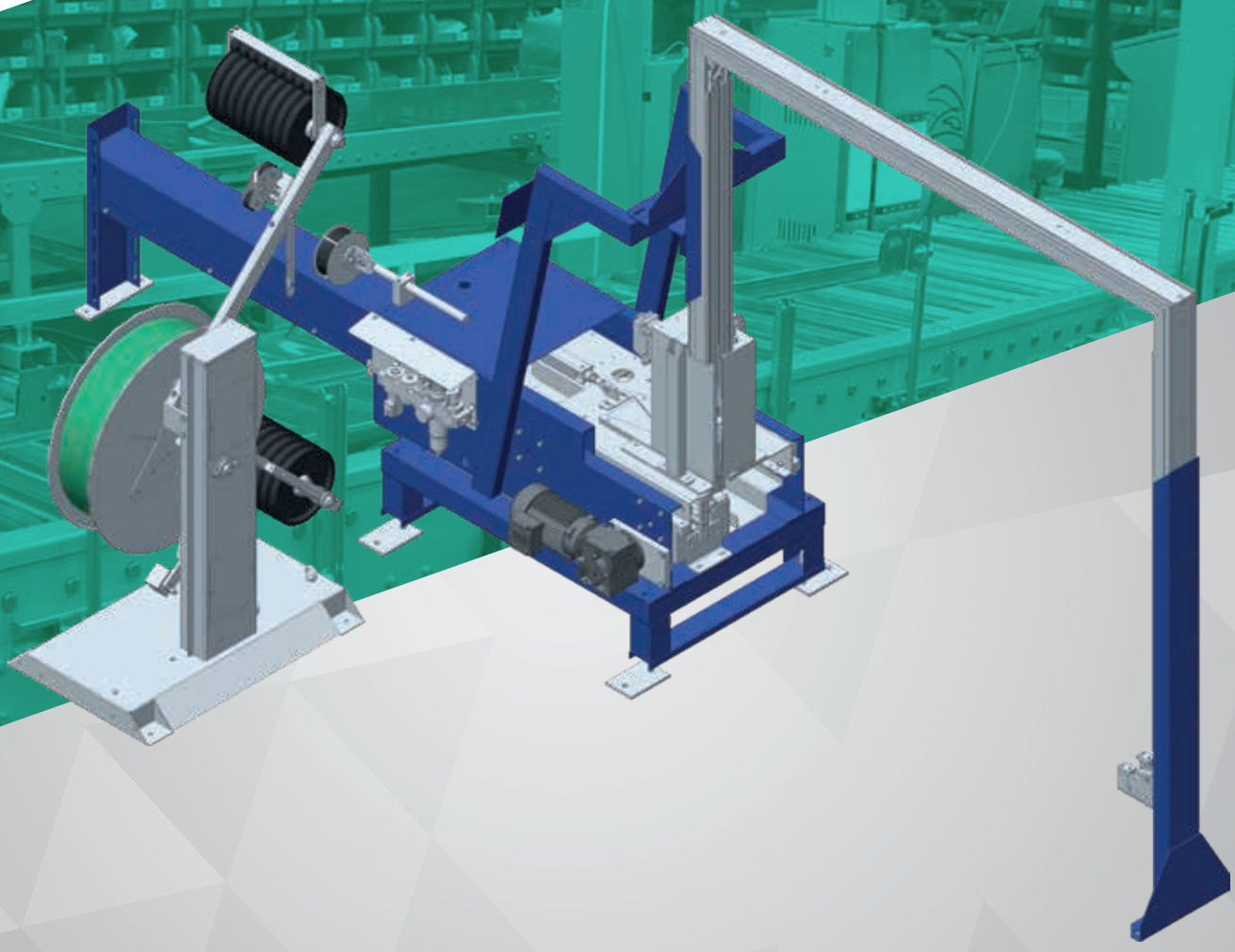




STRAPPING

MOD.  
0875-AB



 Applications



White goods



Plastic/Cans

# 0875-AB

0875\_EN

The 0875AB automatic lateral strapping machine was designed to apply vertical straps to palletized products. It comes with a strapping head that works either with polypropylene or polyester straps. It can be placed in full automatic packaging lines,

where, by signals exchange can communicate with other machines. It can also operate in stand alone mode. It may also feature a touch-screen operator panel through which to manage all machine functions.

## Technical data

### Power supply

Voltage	400 V (50Hz)
Installed power	~ 2 kW

### Air supply

Pressure	5,5 ÷ 6,5 bar
Consumption	~ 5 NL/cycle

### Coil size

Max internal diameter	390 ÷ 405 mm
Max external diameter	600 mm

### Pack size (standard machine)

Length	1200 mm
Width	800 / 1200 mm

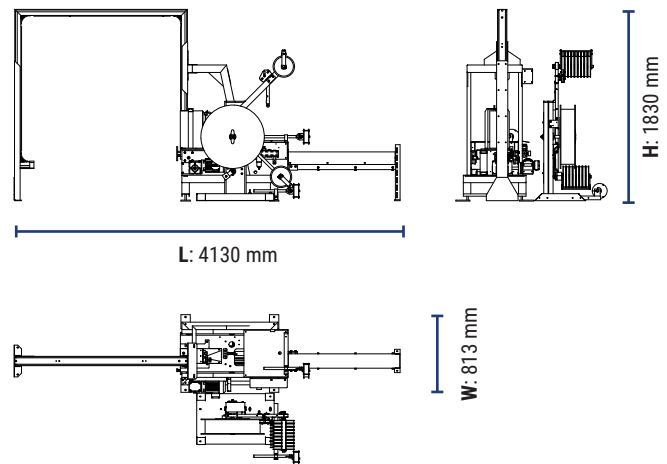
### Applicable strapping heads

TR1400 / TR1400HD / VYBRO Plus / SONIC Plus (PET / PP)  
TR1800 (PET) / TR200 (PP)

### Strap

Type of strap	Polyester (PET) Polypropylene (PP)
---------------	---------------------------------------

## Standard machine dimensions



Packaging line with 0875 TR200 and conveyors



Sword-bayonet to strap through pallet void



Officina Meccanica Sestese S.p.A.

Via Borgomanero, 44 - 28040 Paruzzaro (NO)

Tel. +39 0322 541411 Fax +39 0322 53157

www.omsspa.com

info@omsspa.com

As a part of our policy of continuous improvement, we reserve the right to alter design and specifications without prior notice. This brochure is for descriptive purpose only. Some of the items pictured in this brochure are optional and not standard equipment.