

 **Applications**



Logistic



Fruits



Paper



Cardboard



Ceramic



Wood



Plastic

# 08 Combo

08RP\_COMBO.EN

Combination of an automatic vertical strapping and turntable wrapping machine. The suitable solution for any needs regarding a low production with an high variable mix of products. Thanks to the welding & cutting device the cycle of this machine model completely automatic. All the oper-

ating cycles of the machines and the individual devices may be programmed through a single operator panel. Depending on the dimensions of product to be packing, the machines may be equipped with appropriate turntable diameter.

## Technical data

### Power supply

Voltage	400 V (+/-10%) - 50Hz
Installed power	~ 5,5 kW

### Air supply

Pressure	5,5 ÷ 7 bar
Consumption	~ 30 NL/cycle

### Coil size

Max internal diameter	390 ÷ 405 mm
Max external diameter	600 mm

### Strap

Type of strap	Polyester (PET) Polypropylene (PP)
---------------	---------------------------------------

### Pack size (standard machine)

Long side Min./Max.	1200 mm
Short side Min./Max.	800 / 1000 mm
Height Min./Max.	650 / 2200 mm
Max. pack weight	2000 Kg

### Applicable strapping heads

TR1400 / TR1400HD / TR1800 / TR2000 / VYBRO Plus / SONIC Plus

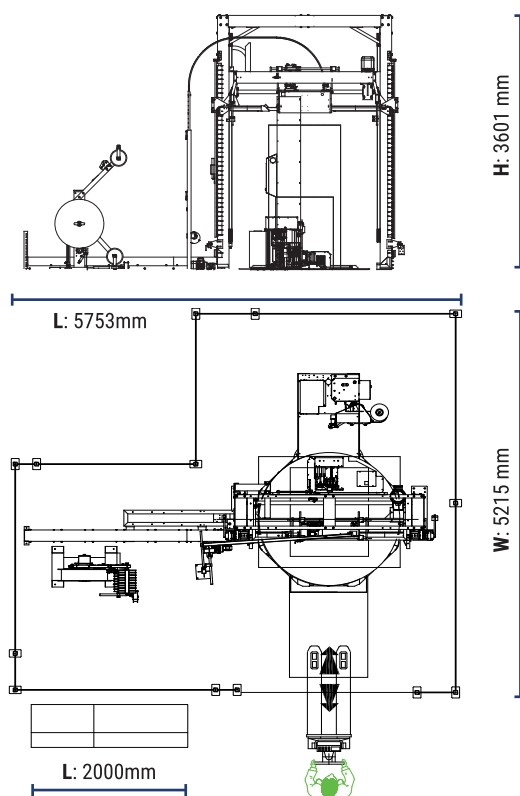
### Film coil size

Width	500 mm
Max external diameter	250 mm
Max weight	~ 20 kg

### Production

Capacity	Up to 20 packs/hours
----------	----------------------

## Standard machine dimensions



### Options:

- > 1800 or 2000 mm turntable
- > 3,000 mm high packs
- > Teleservice module



Welding & Cutting device



Officina Meccanica Sestese S.p.A.

Via Borgomanero, 44 - 28040 Paruzzaro (NO)

Tel. +39 0322 541411 Fax +39 0322 53157

www.omsspa.com

info@omsspa.com

As a part of our policy of continuous improvement, we reserve the right to alter design and specifications without prior notice. This brochure is for descriptive purpose only. Some of the items pictured in this brochure are optional and not standard equipment.