



STRAPPING HEADS

TR200



Applications



Paper



Cardboard



Plastic/Cans



Glass

TR200

TR200_EN

The head TR200 is a model (OMS patent), fast, silent and easy to use and represents the state-of-the-art in the field of strapping heads. Extremely sturdy and compact, it is designed to work without interruption on automatic lines. The head's main feature is the ability to reach the tension value repetitively and constantly re-

gardless of the size of the pack and the type of strap used. Thanks to high quality of mechanics and electronics components as well as proven and reliable Tensioning Technology used, the TR200 gives a top quality sealing, fast feed and consistent alignment of the strap and guarantees reliable binding in PP or PET.

Technical data

Strap	
Type of strap	Polyester (PET) Polypropylene (PP)
Width	9 ÷ 12 mm (PET) 9 ÷ 16 mm (PP)
Thickness	0,5 ÷ 0,8 mm
Tensioning	Up to 1500 N

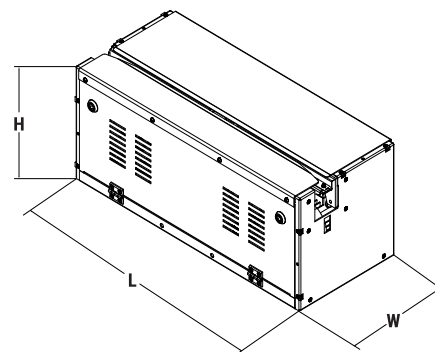
Max feeding and recovery speed	8,8 m/s (Standard & TR210) 4,4 m/s (TR204 & TR214)
Utilization temperature	-10° ÷ +50° C
Noise level	< 70 dB

Advantages

- High Performance and Speed
- Proven and reliable Tensioning Technology
- Fast, consistent strap feed and alignment
- Quick and easy maintenance

Dimensions

L 735 mm
W 290 mm
H 300 mm
Weight 60 kg



The TR200 head is available in several versions & configurations , as per as described in the table below:

The TR200 head is available in several versions, as per as explaining in the following table:

	Only for motorized reel holder	Only for NO motorized reel holder	Off-centre Welding	Narrow Plate
TR200	●	n.a.	n.a.	NO
	●	n.a.	n.a.	YES
TR210	●	n.a.	●	NO
	●	n.a.	●	YES
TR204	n.a.	●	n.a.	NO
	n.a.	●	n.a.	YES
TR214	n.a.	●	●	NO
	n.a.	●	●	YES

The head with "Narrow Plate" Kit are suitable for rigid and small packages (example: metal profiles).



Officina Meccanica Sestese S.p.A.

Via Borgomanero, 44 - 28040 Paruzzaro (NO)

Tel. +39 0322 541411 Fax +39 0322 53157

www.omsspa.com

info@omsspa.com

As a part of our policy of continuous improvement, we reserve the right to alter design and specifications without prior notice. This brochure is for descriptive purpose only. Some of the items pictured in this brochure are optional and not standard equipment.